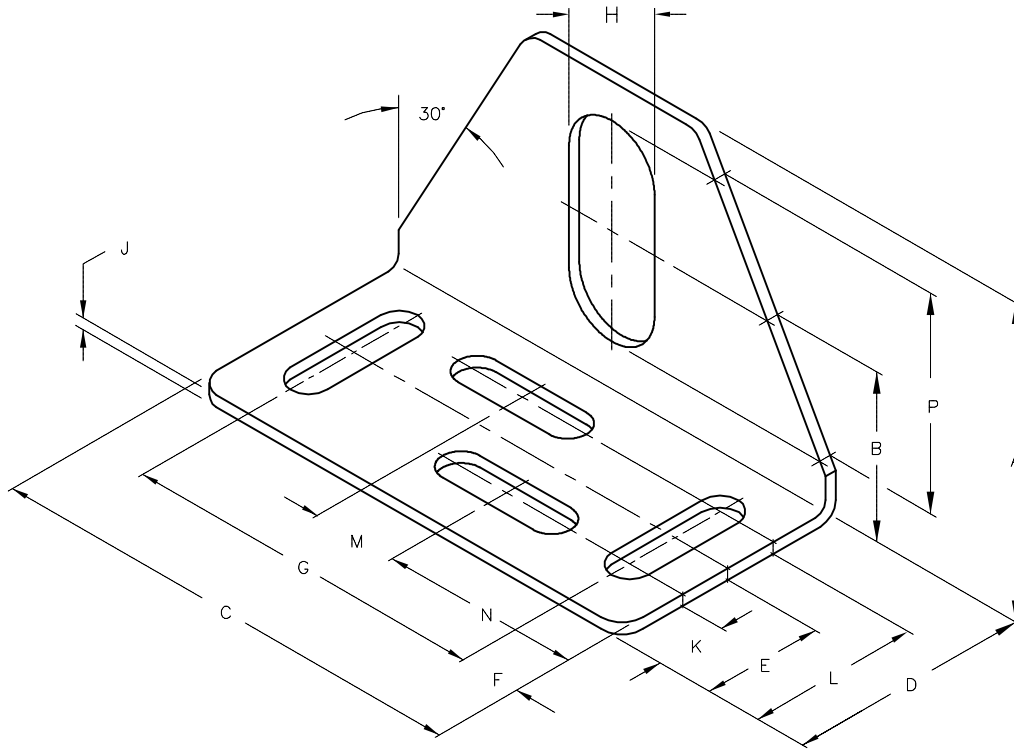


DESCRIPTION OF TABULATION

PART NO.	ID NO.	BARREL DIA	RM NO.	DIMENSIONS															SLOT	MATERIAL
				A	B	C	D	E	F	G	H	J	K	L	M	N	P			
MB-30	A3140	30 mm	10160122	$\frac{2.62}{66.5}$	$\frac{1.32}{33.5}$	$\frac{4.25}{108.0}$	$\frac{1.75}{44.5}$	$\frac{.88}{22.4}$	$\frac{.37}{9.5}$	$\frac{3.50}{88.9}$	$\frac{1.19}{30.2}$	$\frac{.07}{1.8}$	$\frac{.63}{16.0}$	$\frac{1.14}{29.0}$	$\frac{1.18}{30.0}$	$\frac{1.54}{39.0}$	$\frac{2.06}{52.2}$	$\frac{.28 \times 1.25}{7.1 \times 31.8}$	14 GAGE COLD ROLL STEEL	



NOTES:

1. FOR USE WITH METAL BARREL SENSORS.

RELATED DOCUMENTS		3RD ANGLE PROJECTION		THIS DRAWING IS CONFIDENTIAL AND THE PROPERTY OF TURCK INC. USE OF THIS DOCUMENT WITHOUT WRITTEN PERMISSION IS PROHIBITED.		<p>3000 CAMPUS DRIVE MINNEAPOLIS, MN 55441 1-800-544-7769 (763) 553-7300 (763) 553-0708 fax www.turck.us</p>	
1. 2. 3. 4.				DRFT SMW		DATE 10/17/86	
MATERIAL COLD ROLLED STEEL		ALL DIMENSIONS DISPLAYED ON THIS DRAWING ARE FOR REFERENCE ONLY		DSGN		SCALE NONE	
FINISH GALVANIZED		CONTACT TURCK FOR MORE INFORMATION		UNIT OF MEASUREMENT INCH [MILLIMETER]		DESCRIPTION BRACKET, MB**. ROLLED STEEL, GALVANIZED	
K UPDATE TO CURRENT TITLEBLOCK		RDS 07/16/02 5504		DO NOT SCALE THIS DRAWING		IDENTIFICATION NO. A3140	
REV DESCRIPTION		BY DATE ECO NO.		FILE: A3140		REV K	

K	UPDATE TO CURRENT TITLEBLOCK	RDS	07/16/02	5504
REV	DESCRIPTION	BY	DATE	ECO NO.